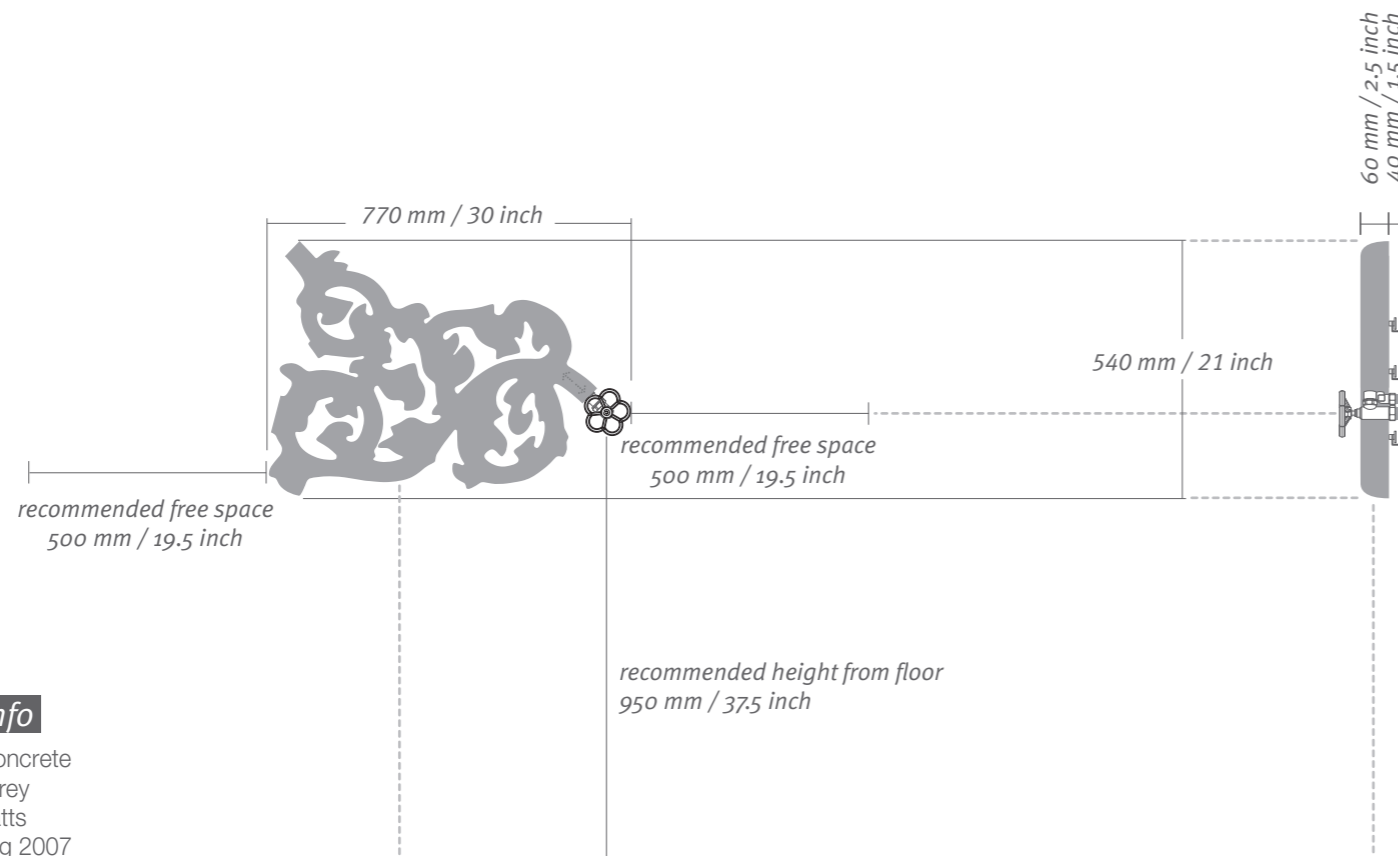


heatwave

heatwave hydro preliminary data sheet : SMALL

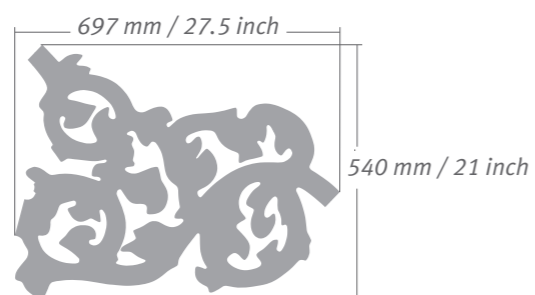
dimensions



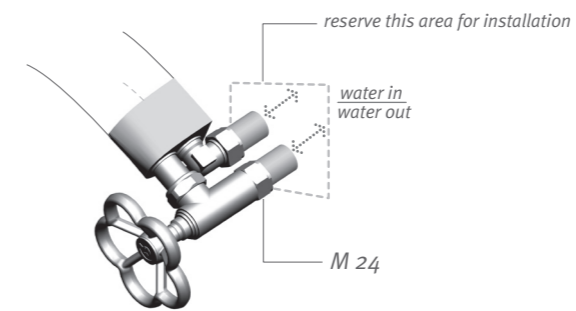
technical info

material: polyconcrete
 colour: stone grey
 output: 200 watts
 available: Spring 2007

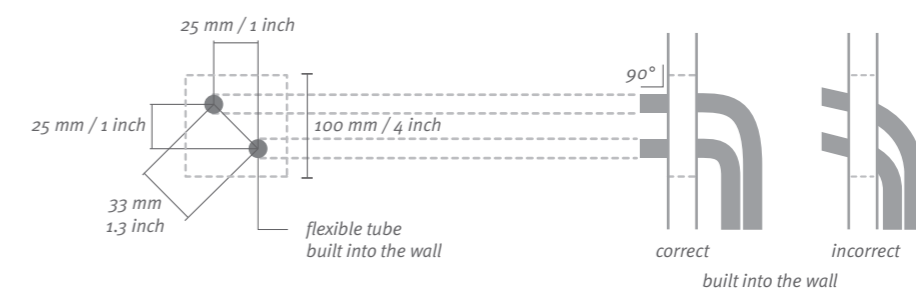
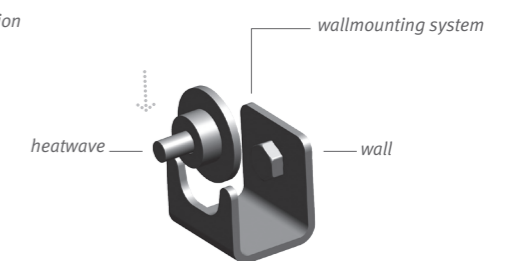
1 x single module (14 kg / 30.8 pound)



installation



connection to the wall



designed by Jaga & Joris Laarman

In principal the 'heatwave' can be seen as a continuously curved tube. Therefore the air is not vented at the appliance itself but in the system. (e.g. boiler, manifold, pipework)