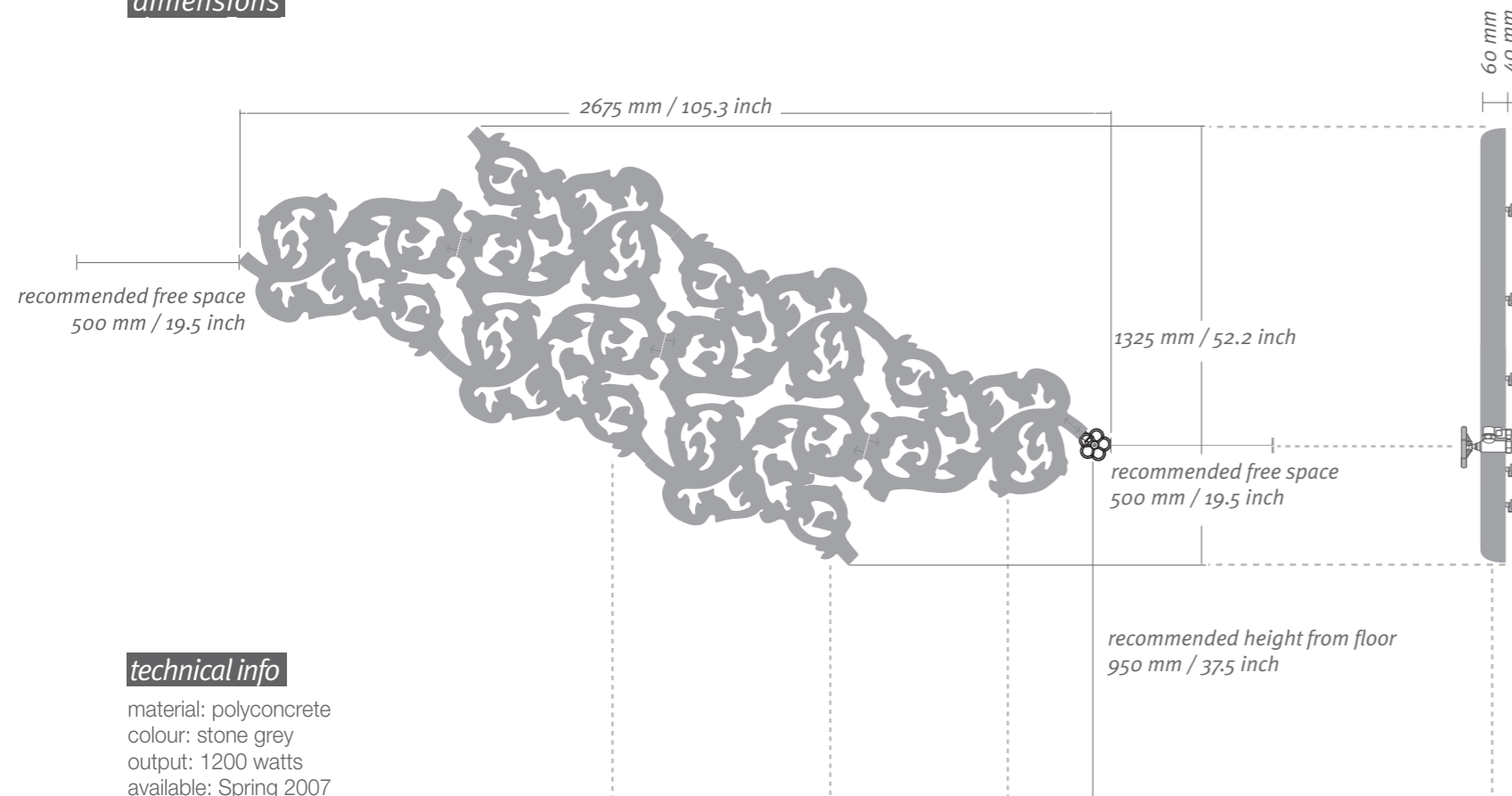


# heatwave

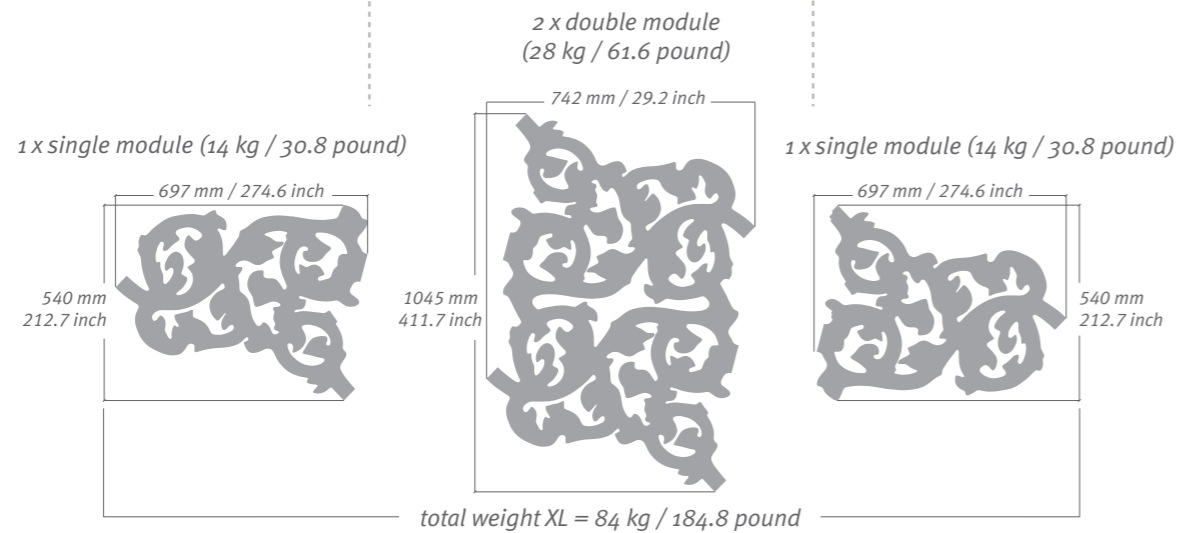
EXTRA LARGE

## dimensions

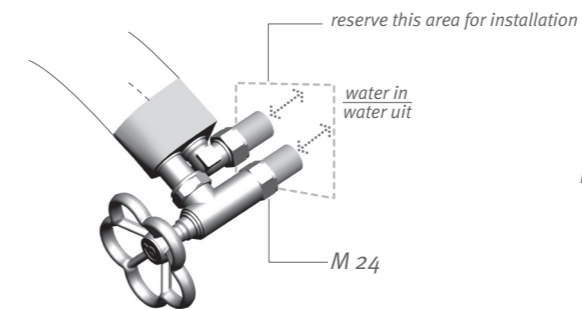


## technical info

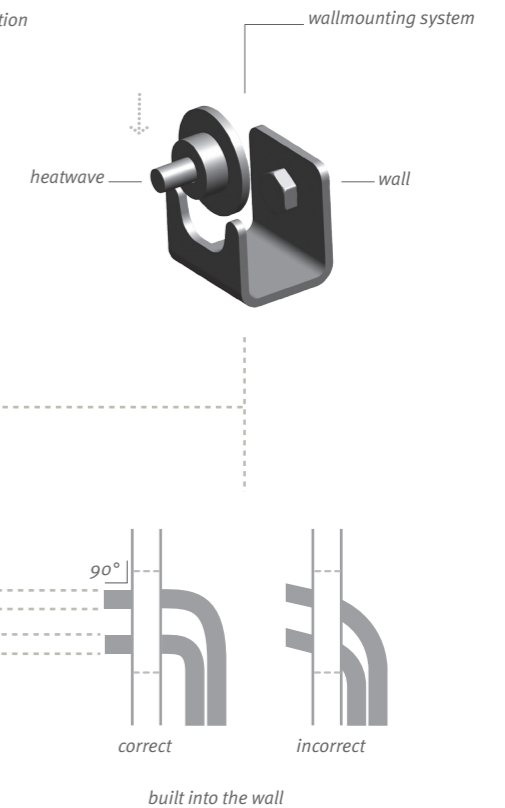
material: polyconcrete  
 colour: stone grey  
 output: 1200 watts  
 available: Spring 2007



## installation



## connection to the wall



designed by Jaga & Joris Laarman

In principal the 'heatwave' can be seen as a continuously curved tube. Therefore the air is not vented at the appliance itself but in the system. (e.g. boiler, manifold, pipework)