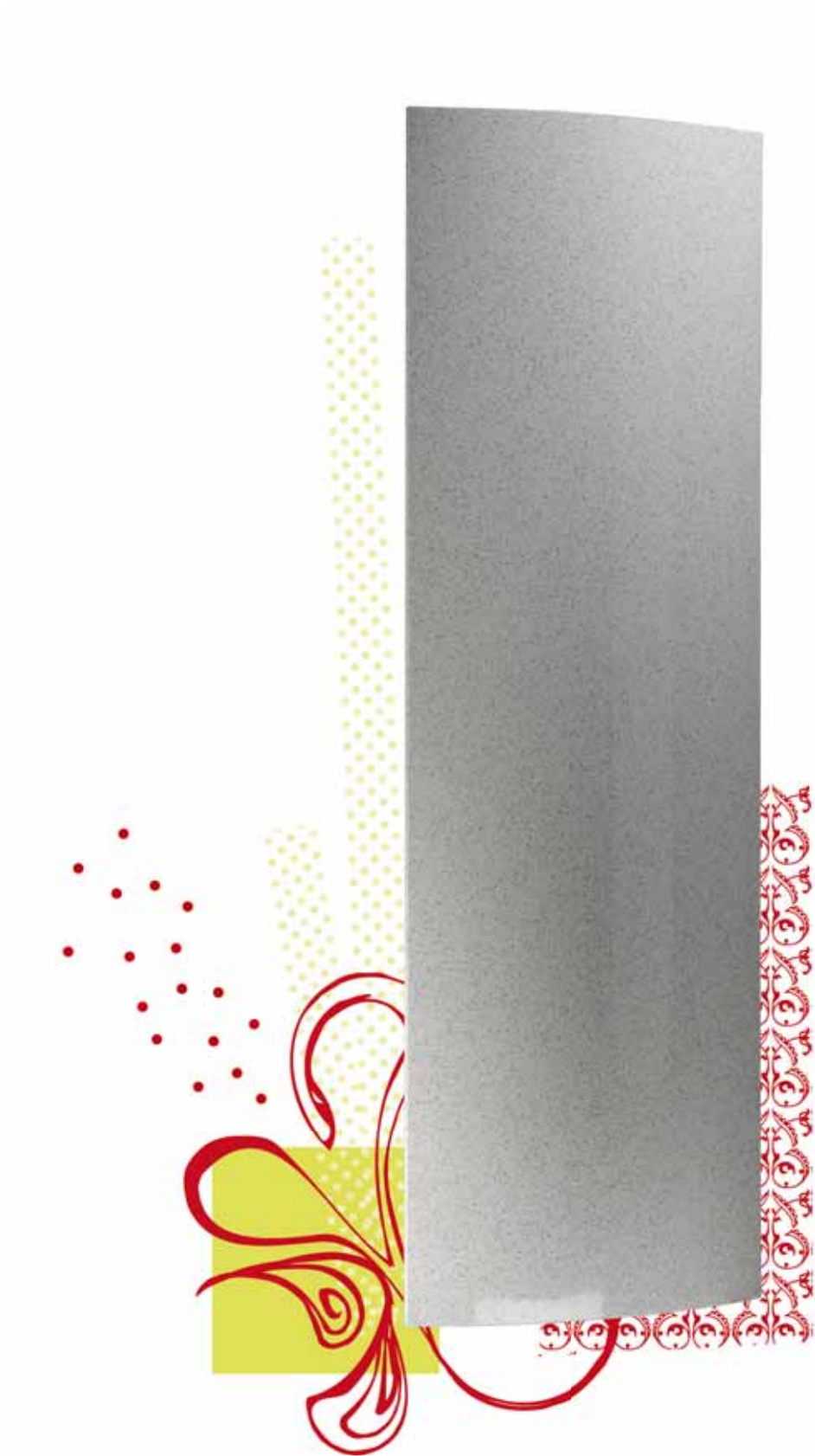
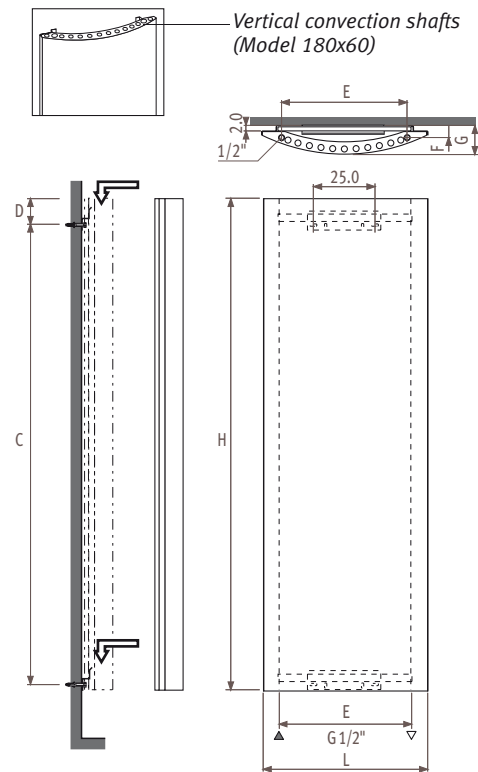


*Geo Vertical*

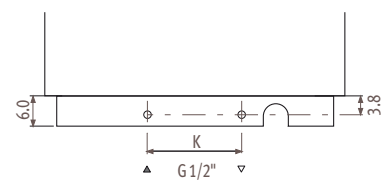


# Geo Vertical Dimensions

## GEVW\_Geo Vertical Wall



## GEVW\_Geo Vertical Wall cover plate

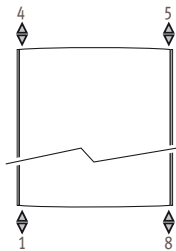


Dimensions in cm

H	150	180
L	50	60
C	106	170
D	25.5	8.5
E	40	46
F	4.0	4.5
G	8.4	10.5
K	17	23

## Connections

Code: 1° number = flow  
2° number = return



### Standard connection

Code 18  
Connection 18 or 81

### Top end connection

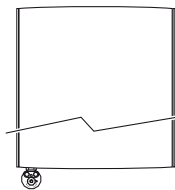
Ordering code: specify code 45 or 54 instead of 18.  
Insert pipe included without surcharge. Has to be mounted in the return. Always mount an air vent on the central heating system.

### Single point connection

Ordering code: specify code 11 or 88 instead of 18.  
Always use a diffusion tube of min. length of 40 cm. No surcharge.

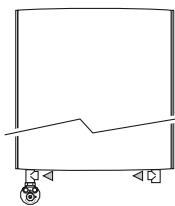
### Electro heating

Standard code 18, and order an electric element.



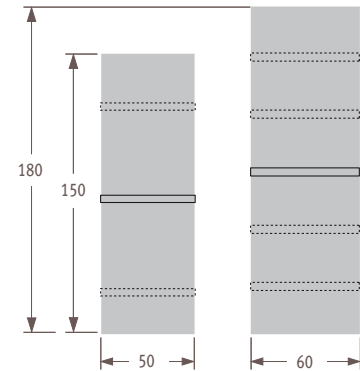
### Mixed

Standard code 18.  
Order an electric element type mixed.  
- Fit the T-piece together with the electrical heating element for connection to the central heating wet system.  
- Never isolate the radiator from the expansion system, in other words never cut off the return of the radiator.



Not standard connection without surcharge.

## Range



## Prices & outputs

### Geo Vertical

code height length colour conn.  
 ORDERING CODE: GEVW. 150 050. XXX /18

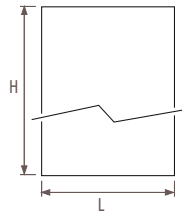
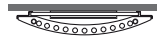
H		L 050	060
150	75/65/20	631	...
	55/45/20	341	...
	st. colour £	<b>703.00</b>	...
	other £	<b>808.40</b>	...
180	75/65/20	...	971
	55/45/20	...	514
	st. colour £	...	<b>964.30</b>
	other £	...	<b>1108.90</b>

#### Standard delivery

- connection 18 underneath
- stainless steel wall fixings.
- chrome-plated air vent and drain cock 1/2"
- plugs and screws

#### Standard colours:

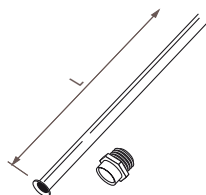
- white 601
- light grey 602
- black 603
- sand 604



Output measured in accordance with EN442, at a water temperature of 75/65 and a room temperature of 20°C ( $\Delta T=50$ ).

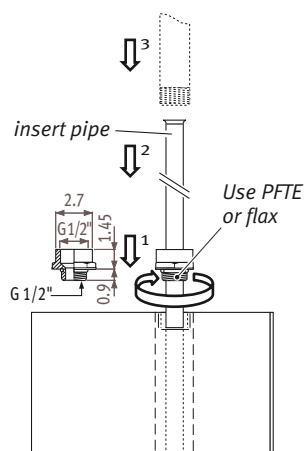
## Options

### Insert pipe for top end connection



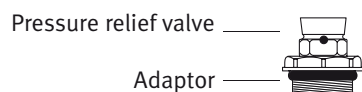
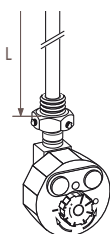
CODE	H radiator	L
9097.1280	150	128
9097.1660	180	166

Will be delivered without surcharge if the top end connection code is indicated (45 or 54 instead of 18).



### Electro heating

CODE	H	Type	WATTS	L	£
9096.12	150	100 % electric	900	52.5	<b>215.80</b>
9096.121	150	mixed (incl. 2 extended T-pieces)	900	52.5	<b>222.40</b>
9096.14	180	100 % electric	1500	82.0	<b>245.00</b>
9096.141	180	mixed (incl. 2 extended T-pieces)	1500	82.0	<b>251.60</b>



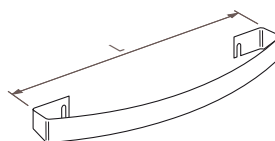
### Connection electric element

- Fit the electric heating element vertically in the socket 1 or 8. The pressure release valve which is included should be fitted into socket 4 or 5, (3 bar).
- Do not switch the radiator on before filling it completely with water.
- Top up with water after the radiator has fully warmed up and cooled.

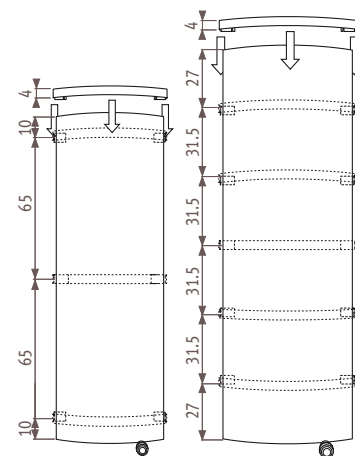
For more information see Technical info.

### Towel-rail

CODE	H radiator	L	£
9091.000053	150	53	<b>62.50</b>
9091.000063	180	63	<b>72.60</b>



Brushed stainless steel.  
Can be mounted at different heights.

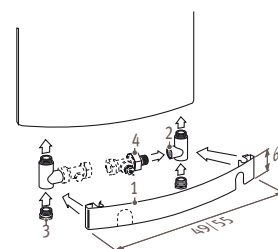


### Cover plate

CODE	opening	L radiator	L	£
9094.07	right	50	49	<b>62.50</b>
9094.08	left	50	49	<b>62.50</b>
9094.06	none	50	49	<b>62.50</b>
9094.02	right	60	55	<b>72.60</b>
9094.03	left	60	55	<b>72.60</b>
9094.09	none	60	55	<b>72.60</b>

### Price includes

- cover plate in brushed stainless steel (1)
- 2 chrome-plated extended T-pieces (2)
- 2 drain cocks (3)
- shortened coupling (4)



Cover plate including valves: see connection sets & valves

### Extended T-piece

CODE	colour	£
TPCE.006.009	chrome	<b>3.50</b>



For mixed application, connection at the side or the back.